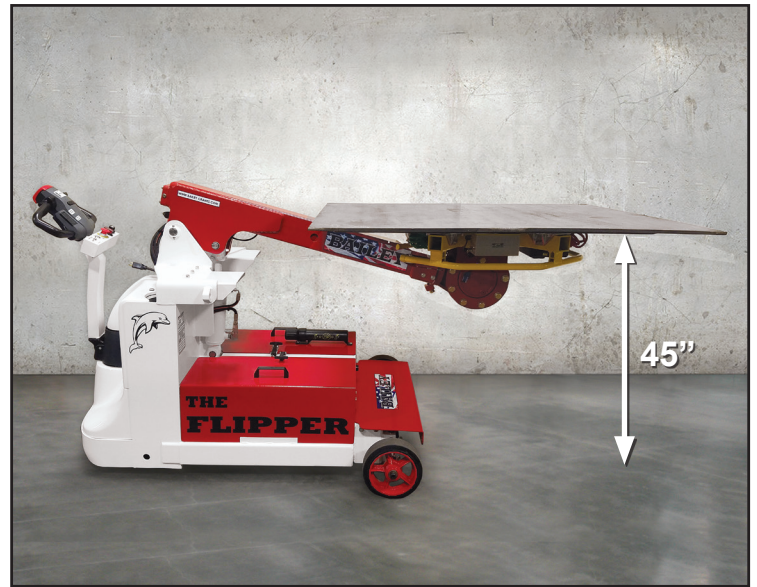


THE FLIPPER

The World's Most Versatile Lifting Machine



Model: The Flipper

Glass Capacity: 700 lbs

Power: 24 Volts

Boom: Proportional Telescoping Boom

Steering: Rear Wheel

Drive: Rear Wheel Electric Motor

Weight: 2,380 lbs

Material Lifting: Optional 1000# Lift Hook

Charger: On-board 110 Volts

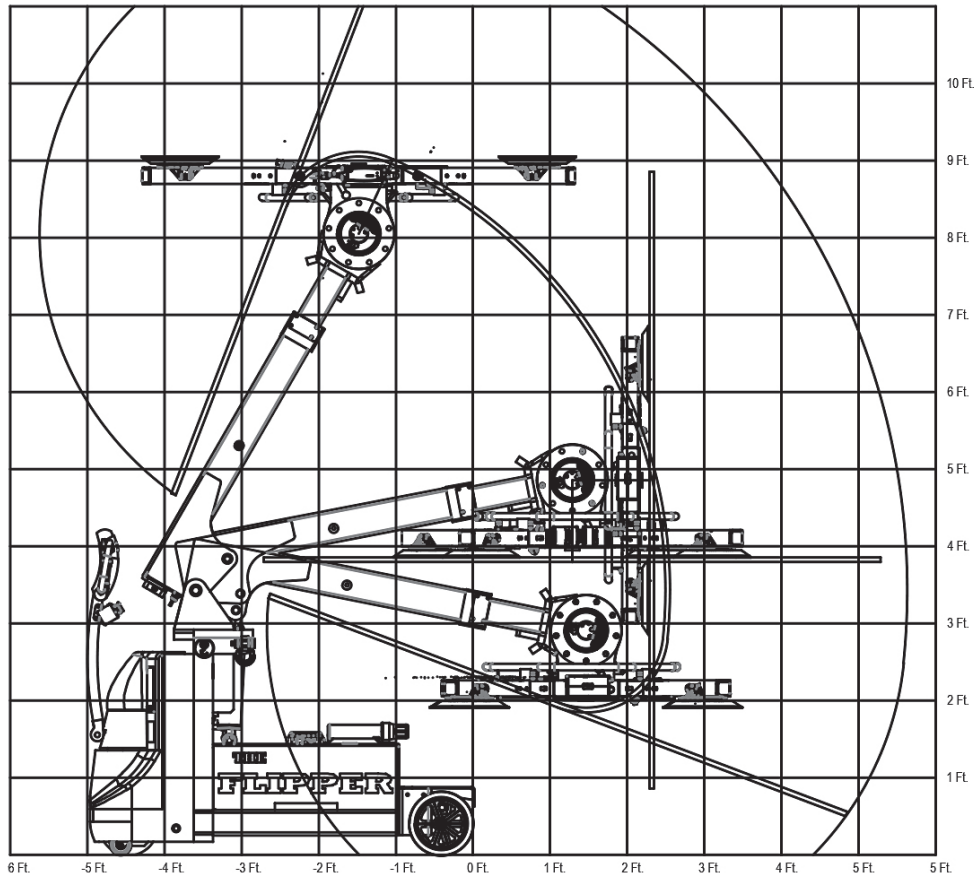
Side-Shift Feature



The side-shift feature of The Brandon Mini enables the operator to move the glass or window sideways to fit between the mullions or jambs. This side-shift is accomplished by a precise electric actuator connected to the front axle which moves the machine to either side.

LOAD CAPACITY CHARTS

** MULTIPLE PATENTS PENDING**



Lift Capacity 700 lbs at any reach.

